



barnHouse

BarnHouses take inspiration from 19th-century barns, updated for the 21st-century. The exterior is defined by a small number of large openings. The “barn” wood rainscreen siding allows it to breathe increasing its durability.

The open interior features under / over-spaces that mimic hay lofts.

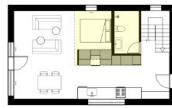
The result is a modern take on an iconic structures that have defined the rural Midwestern landscape for generations.

BARN SPACE.

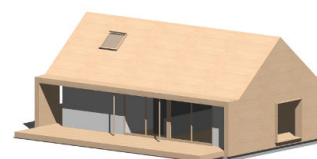
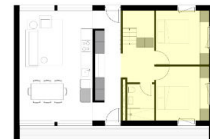
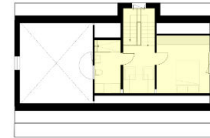
Simple or luxurious. Maybe both.



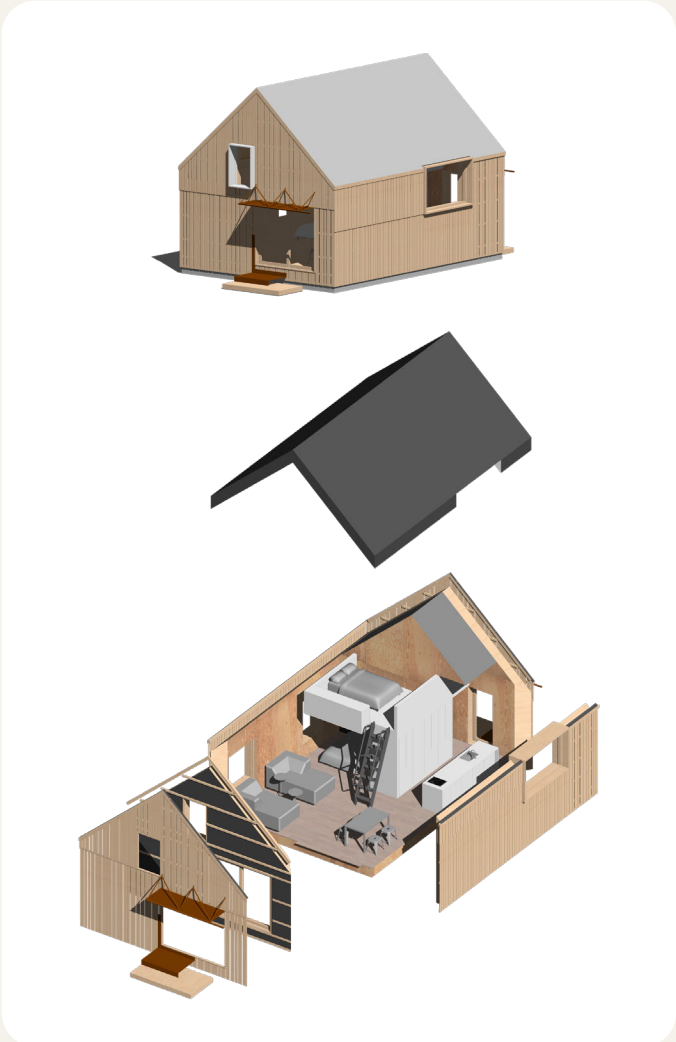
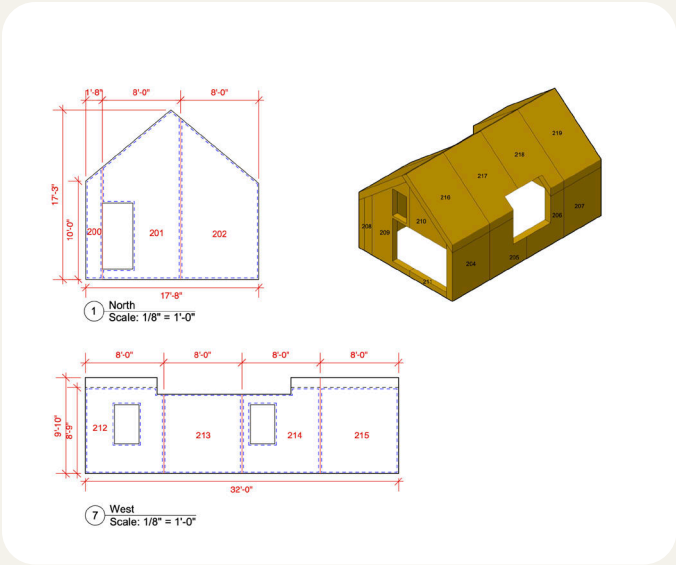
S 22' x 28'
Loft.
1 Bed / 1 Bath



M 22' x 36'
Stair, Dormer + Basement options
1 Bed / 1 Bath



S 22' x 28'
Expansion Attic, Dormer + Basement options.
1 Bed / 1 Bath



S BarnHouse

BARN-RAISING USING MODERN MEANS

BarnHouses use a robust platonic building envelope which can be prefabricated with 12” SIP panels or site-built with 16-inch thick low-carbon walls.

Both are streamlined enclosures intended to approach Passive House standards using a robust weather barrier, passive house windows, and a durable rain-screen skin.



SIP Construction on the Minneapolis barnHouse

Barn Space. instead of box space.

BarnHouses use a robust platonic building envelope which can be prefabricated with 12" SIP panels or site-built with 16-inch thick low-carbon walls.

Both are streamlined enclosures intended to approach Passive House standards using a robust weather barrier, passive house windows, and a durable rain-screen skin.



The Blair barnHouse features the barn skin pulled away from the main house to create a west-side porch and "lantern".



Lofted Main spaces. Compact cores. Lots of daylight



The Winhall, VT barnHouse is a SIP renovation of a 19th-Century barn.

Luxury. Fewer Decisions.

SELECTING FINISHES IS FUN!

Our team will help you every step of the way in crafting a material palette that works efficiently, is made to last, and blends with your own aesthetics. You can be as involved as much or as little as you want to be, and know that we will help guide you every step of the way.



Tree House

Fixtures

CHOSEN FOR LASTING DURABILITY

